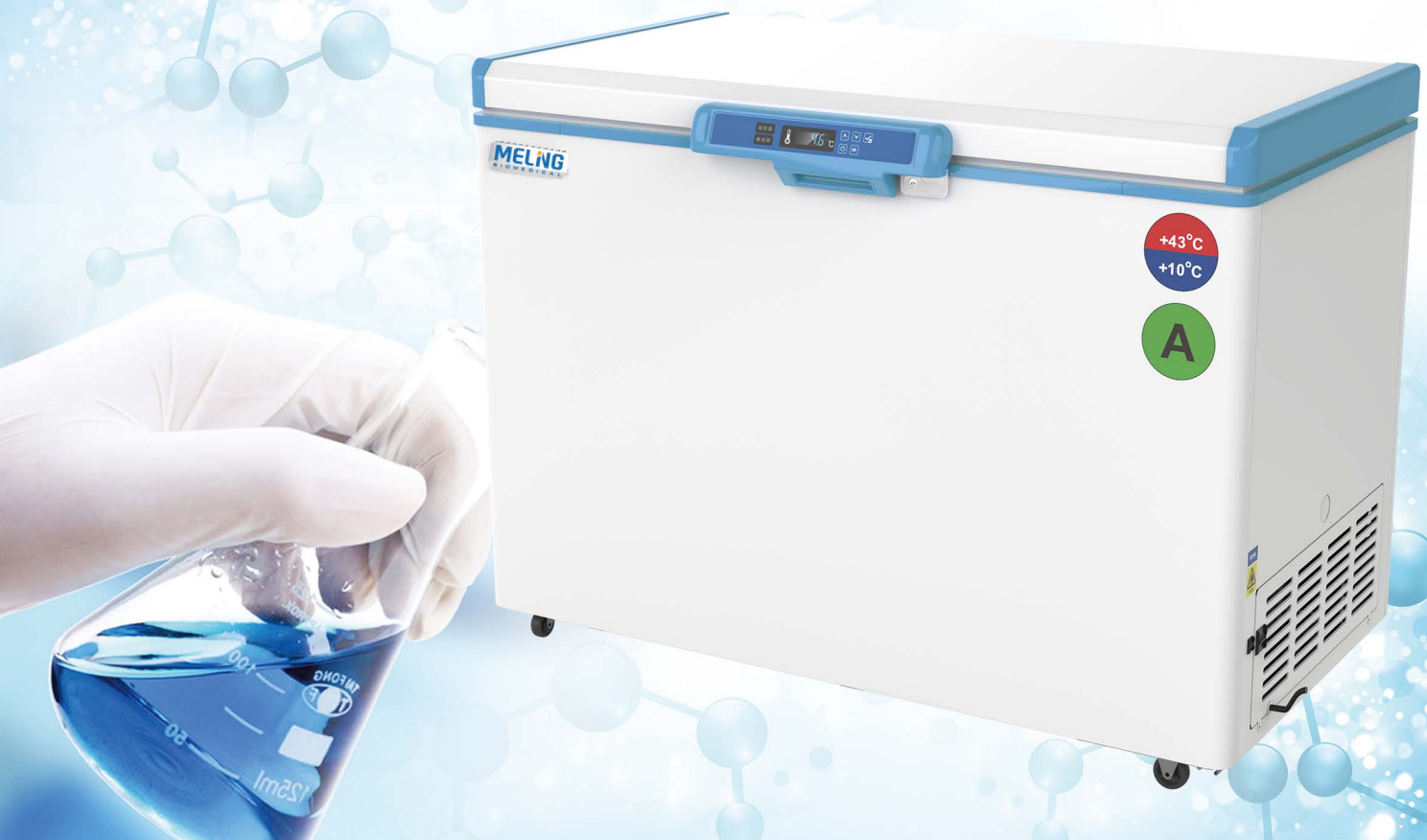


# 2~8°C Ice Lined Refrigerator

*Intelligent Control & Constant Temperature*

*Multiple Alarms Bring More Security*



## YC-275EW

CE PQS



### Constant Temperature under Intelligent Control

High-precision computerized temperature control system: The cabinet has built-in high-sensitivity temperature sensors, ensuring a constant temperature inside it.



### Security System

The well-developed audible & visual alarm system (with multiple audible & visual alarm functions, such as high temperature alarm, low-temperature alarm, sensor failure alarm, door opening alarm, power outage alarm) makes it safer for storage.



### High-efficiency Refrigeration

Equipped with environmentally-friendly Freon-free refrigerant and compressor supplied by an international famous brand, the refrigerator is characterized by fast refrigeration and low noise. When there is power outage, the holdover time is up to 27+ hours, which provides sufficient time for transferring samples.



### Human-oriented Design

Meling 2 ~ 8 °C ice-lined refrigerators are specially designed for up to 43 °C high ambient temperature zones ; Start-delay time setting function (solving the problem of simultaneous startup of batch products after power failure).





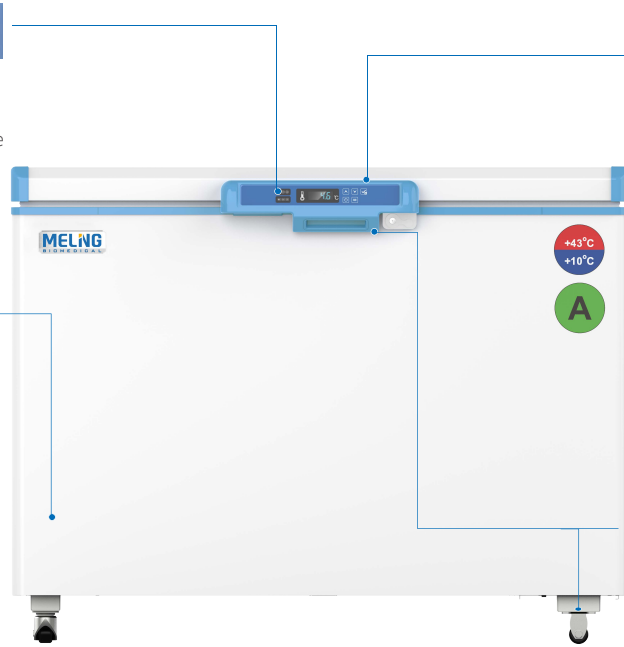
### Control Panel

· 4- digit LED high-brightness digital display enables users to set temperature within a range of 2-8°C, and the precision of temperature display reaches 0.1°C.



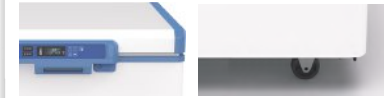
### Refrigeration System

· Equipped with environmentally-friendly CFC Refrigerant and compressor supplied by an international famous brand, the refrigerator is characterized by fast refrigeration and low noise;  
 · When there is power outage, the holdover time is up to 27+ hours, which provides sufficient time for transferring samples.



### Security System

· The well-developed alarm system (high and low temperature alarm, sensor failure alarm, power failure alarm, low battery alarm, etc.) makes it safer for storage;  
 · Turn-on delay & stopping interval protection;  
 · The door is equipped with a lock, preventing it from unauthorized opening.



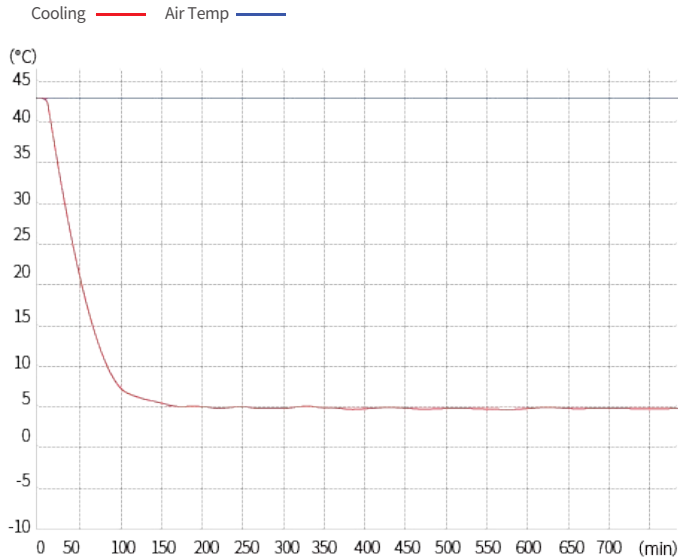
### Human-oriented

· The built-in door handle can prevent damage during transportation and save space;  
 · There are 4 universal wheels and 2 casters with brake, which makes it can be moved and fixed easily.

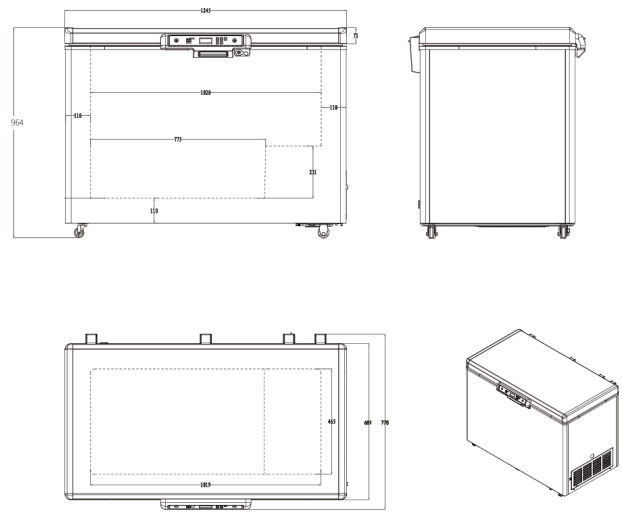
## ✓ Scope of Application

Suitable for storage of biological products, vaccines, drugs, reagents, etc. Suitable for use in pharmacies, pharmaceutical factories, hospitals, centers for disease prevention & control, clinics, etc.

## 🔗 Performance Data / Cooling Curve



## 📏 External Dimensions



## Specification Chart

2~8°C Ice Lined Refrigerator	
Model	YC-275EW
Cabinet Type	Chest
Capacity(L)	275
Internal Size(W*D*H)mm	1019*465*651
External Size(W*D*H)mm	1245*775*964
Package Size(W*D*H)mm	1328*810*1120
NW/GW(Kgs)	103/128
Performance	
Temperature Range	2~8°C
Ambient Temperature	10-43°C
Cooling Performance	5°C
Climate Class	SN、N、ST、T
Controller	Microprocessor
Display	Digital display
Refrigeration	
Compressor	1pc
Cooling method	Direct cooling
Defrost Mode	Manual
Refrigerant	R290
Insulation Thickness(mm)	110
Construction	
External Material	Sprayed steel plate
Inner Material	Stainless steel
Coated Hanging Basket	4
Door Lock with Key	Yes
Backup battery	Yes
Casters	4 (2 casters with brake)
Alarm	
Temperature	High/Low temperature
Electrical	Power failure , Low battery
System	Sensor failure
Electrical	
Power Supply(V/HZ)	220-240~50/60
Rated Power(W)	255
Power Consumption(KWh/24h)	1.25
Rated Current(A)	1.45

\*The model, parameters and performance specified in this brochure may be changed without prior notice because of product upgrading.

\*There may be differences between the product images shown in this brochure and the actual products. When you are buying any product, please check the actual product.